



SUBMITTAL

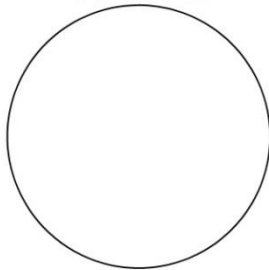
CUSTOM VERTICAL SERIES
CUSTOM SURGE ARRESTOR TANKS

Submittal Sheet No. CV-2016B

Date: 4/20

Job Name _____	Submitted By _____	Date _____
Location _____	Approved By _____	Date _____
_____	Order No. _____	Date _____
Engineer _____	Notes _____	
Contractor _____	_____	
Sales Rep. _____	_____	

TOP VIEW



Construction

- ASME
- Non-ASME

- Carbon Steel
- Stainless Steel
 - Grade 304
 - Grade 316

Dimensions

- Diameter: _____
- Height: _____
- Or
- Capacity: _____ Gallons
- Size Limitations
- Width: _____
- Height: _____
- Length: _____

- Minimum Design Temperature _____
- Maximum Design Temperature _____
- Working Pressure _____

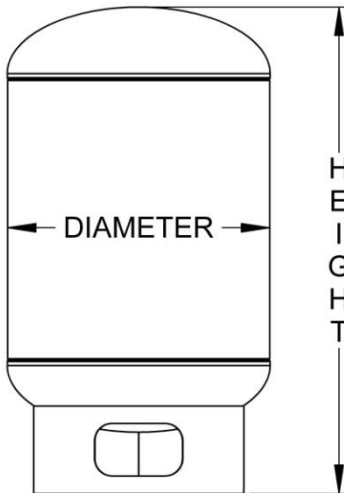
Openings & Connections

- NPT
 - Qty. _____ Size _____
 - Qty. _____ Size _____
 - Qty. _____ Size _____
- Flange
 - Qty. _____ Size _____
 - Qty. _____ Size _____
- Grooved
 - Qty. _____ Size _____
 - Qty. _____ Size _____
 - Qty. _____ Size _____
- Manway
 - Qty. _____ Size _____
- Other
 - Qty: _____ Size _____

Tank Supports

- Angle Legs
- Base Ring w/ Opening
 - Hold Down Clips
 - Qty: _____
- Base Ring w/out Opening
 - Hold Down Clips
 - Qty: _____

FRONT VIEW



HEIGHT

DIAMETER

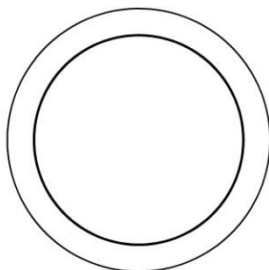
Finish & Linings

Interior

- None
- Epoxy lined
- Glass lined
- Cement lined
- Galvanized
- Rubber lined
- _____

Exterior

- None
- Standard Primer
- Epoxy
- Galvanized
- Polyurethane
- Color _____
- Insulation
- _____



BOTTOM VIEW

Other Notes _____